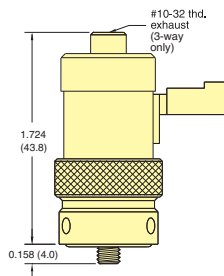
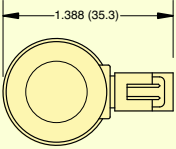

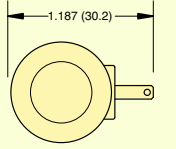

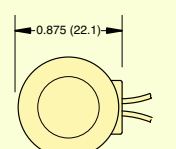



2-WAY & 3-WAY NORMALLY-OPEN VALVES, MANIFOLD



		Voltage		2-Way	3-Way
		12 VDC	24 VDC		
 0.025" Pin Connector		•		<u>ECN-2M-12</u>	* <u>ECN-3M-12</u>
			•	<u>ECN-2M-24</u>	* <u>ECN-3M-24</u>
 Spade Terminals		•		<u>ETN-2M-12</u>	* <u>ETN-3M-12</u>
			•	<u>ETN-2M-24</u>	* <u>ETN-3M-24</u>
 Wire Leads Side (Radial)		•		<u>EVN-2M-12</u>	* <u>EVN-3M-12</u>
			•	<u>EVN-2M-24</u>	* <u>EVN-3M-24</u>

Medium: Clean, dry air (40 micron filter)

Power Consumption: 0.67 watt

Temperature Range: 32 to 180°F (0 to 82°C)

Response: 5 to 10 milliseconds (nominal)

Operating Range: 90 to 150% of rated voltage

Voltage: 12 VDC or 24 VDC. Other voltages available upon request.

Ports: #10-32 (M5 optional)

Options	Standard	Non-Standard
(add to end of Part No.)		
FKM Seals	-V	
EPR Seals		-E
Silicone Seals		-S
Diode		-D
Metric Ports	-M5	

Example Part No's:
EVN-2M-12-V
ETN-3M-24-M5

See Page 175 for mounting options

Pressure Range	Air Flow
28" Hg Vac. to 105 psig *call for special configurations	0.9 scfm @ 100 psig (25 l/min @ 7 bar)

